

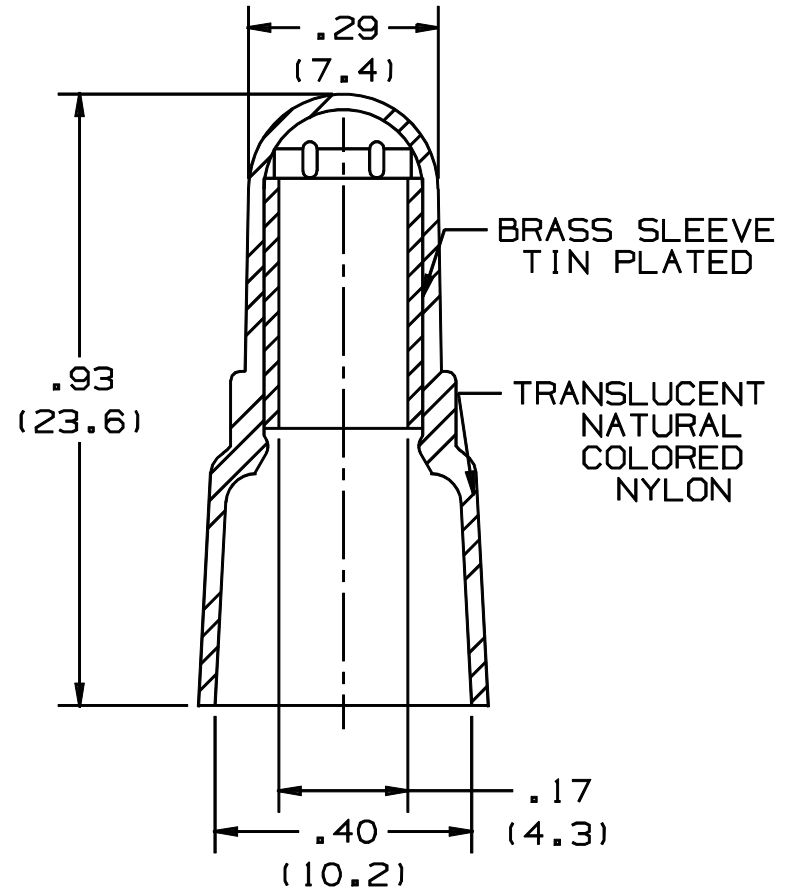
THIS COPY IS PROVIDED ON A RESTRICTED BASIS AND IS NOT TO BE USED IN ANY WAY DETRIMENTAL TO THE INTERESTS OF PANDUIT CORP.

WIRE COMBINATION CHART

WIRE SIZE	NO. OF WIRES	NUMBER OF ADDITIONAL WIRES OF ONE SIZE			
		#18	#16	#14	#12
#18	1	3-6	2-5	2-3	1
	2	2-5	2-4	1-2	1
	3	1-4	1-3	1-2	1
	4	1-3	1-3	1-2	1
	5	1-2	1-2	1	0
	6	1	1	1	0
#16	1	3-6	2-4	1-2	1
	2	1-5	1-3	1-2	1
	3	1-4	1-2	1	1
	4	1-2	1	1	0
	5	1	0	0	0
#14	1	2-6	1-4	1-2	1
	2	1-4	1-2	1	1
	3	1	0	0	0
#12	1	1-4	1-3	1-2	1

NOTES :

- UL LISTED AND CSA CERTIFIED FOR:
 - 600V. MAX. BLDG. WIRE, 1000V. MAX. IN SIGNS, FIXTURES AND LUMINARIES
 - 221°F (105°C) MAX. TEMP. RATING
 - WIRE COMBINATIONS OF #18AWG-#12 SOLID OR STRANDED COPPER WIRE
- PACKAGE QUANTITY:
 - STD. PKG. -C = 100
 - BULK PKG. -M = 1000
- DIMENSIONS IN BRACKETS ARE IN MILLIMETERS
- INSTALLATION TOOLS:
 - UL LISTED AND CSA CERTIFIED: CT-100, CT-250, CT-550, CT-1550, & CT-1551
- WIRE STRIP LENGTH: 1/2 ^{1/32} .0 (12.7 ^{1/8} .0)



LISTED
587H
E52164



CERTIFIED
LR3122

A41343_03

03	1/01	RM		FILESPEC WAS N41343AA_PCD_02				<p>TINLEY PARK, ILLINOIS</p> <p>NYLON INSULATED WIRE JOINT JN418-212</p>
02	11/95	ED		REVISED NOTES, TABLE, & DIMEN.S	03808			
01	11-88	DW	LM	REDRAWN TO REVISIONS				
REV	DATE	BY	CHK	DESCRIPTION	ECN #	CUST	PM	DRAWN BY: DAW Ck'D: [blank] SCALE: NONE DRAWING NO.: A41343A